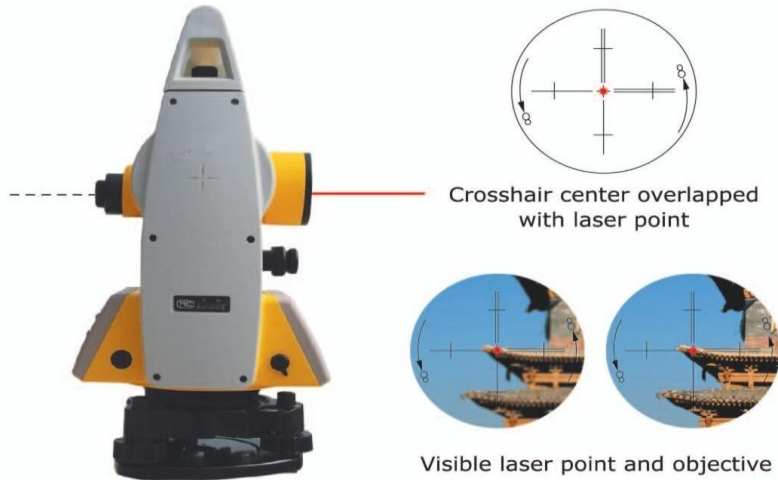


DT-02

Electronic Theodolite

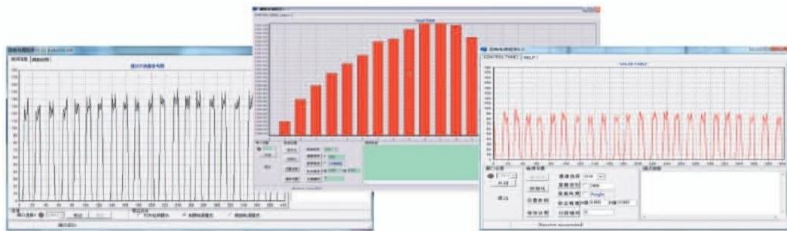


Laser and Collimation Axis - Coaxial, Visible Laser Point



Intelligent Calibration PC Software

Intelligent calibration for easy troubleshooting.



Absolute Encoding

Initialization is needless, quick and reliable angle measurement.



Large Back-lit LCD

Dual side back-lit LCD display for comfortable reading.



Specification

Angle Measurement

Accuracy 2"
 Reading system Absolute encoding
 Minimum reading 1" /5"/10"/20"(Selectable)
 Diameter of circle (VHz) 79mm

Telescope

Image Erect
 Magnification 30x
 Tube length 150mm
 Objective lens 45mm
 Field of view 1°20'
 Resolving power 4"
 Minimum focusing distance 2m
 Stadia ratio 100
 Stadia constant 0

Laser Pointer (DT-02L Only)

Method Focusing
 Wavelength/Power 635nm/1mW
 Laser class Class II
 Laser range 200m(day time)
 Spot size 5mm/100m
 Coaxial 5mm/70m

Display

LCD display type Dual side back-lit LCD

Data Interface

Serial communication RS-232

Illumination

Display Yes
 Reticle Yes

Compensator

Tilt sensor Liquid-electric vertical detection
 Compensating range ±3'
 Accuracy 1"

Laser Plummet

Accuracy 1mm/1.5m

Level Sensitivity

Plate level 30"/2mm
 Circular level 8"/2mm

Power Supply

Battery type Rechargeable Ni-H battery
 Operating time 10 hours

Weight

Weight 4.6kg

Environmental

Operating temperature -20°C ~ +50°C
 Water & dust protection IP54